



SINGLE – SIDE POWER METER
USER MANUAL

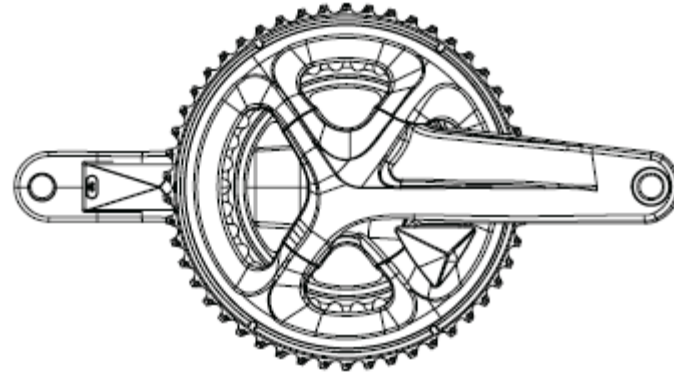
Specification

- **Product name :**
XCADEY XPOWER single -SIDE POWER METER
- **APP Support :** XCADEY APP
- **Weight :** 11 gram
- **Thickness :** 8 mm
- **Accuracy :** +/- 2.0%
- **Wireless :** ANT+ / Bluetooth 4.0
- **Battery :** Li-ion Battery
- **Battery life :** 150 hours
- **Waterproof :** IPX6
- **Power range (Watts) :** 0 – 2500
- **Cadence range (rpm) :** 30 – 220
- **Working temperature :** -10 – 50
- **Limited Warranty :** 2 Year
- **Measure Data :** Power, Cadence,
- **APP DOWNLOAD :** www.xcadey.com/app



IN THE BOX

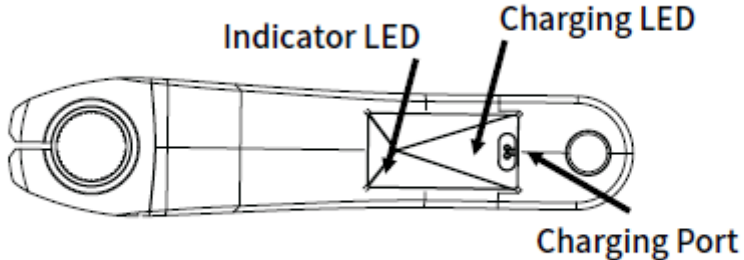
1. POWER METER LEFT



2. USB CHARGING CABLE

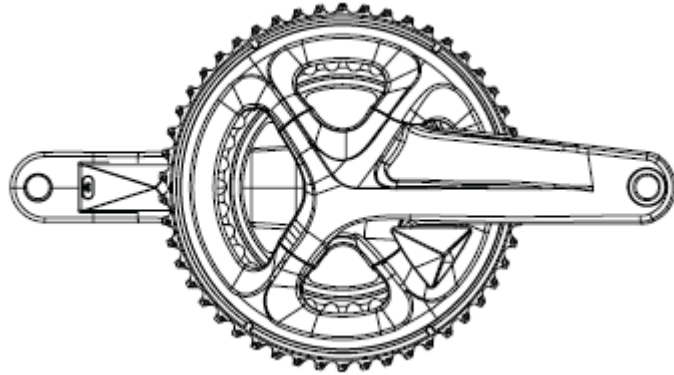


PRODUCT OVERVIEW

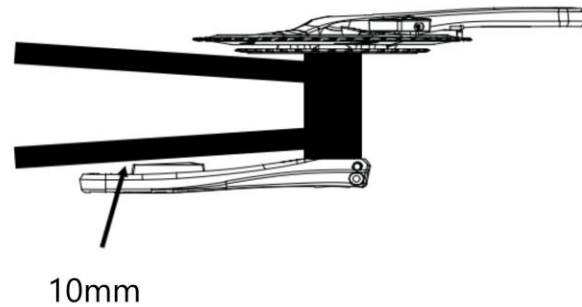


INSTALLATION

1. Install the crank to the bike following the instructions provided by the crank arm manufacturer.



2. Turn the crank slowly and make sure the power meter module has not knocked the bike frame.

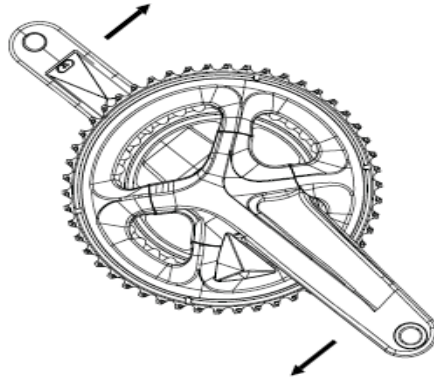


CHARGING

1. Put the magnetic plug into left module. If you feel some resistance when put it. Make sure the position is right.
2. It will be charging after plug the cable into power adapter. The LED will be showing red.

PAIR

1. Turn the crank and make it wake up. The LED will twinkling blue.



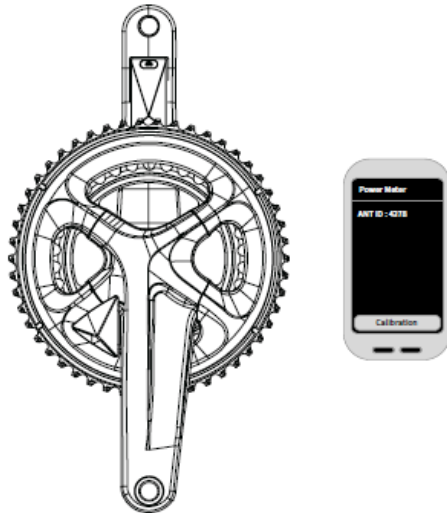
2. Search and connect the sensor in the bike computer.

3. Connect the device named XPOWER XXXX if using Bluetooth.



CALIBRATION

1. Turn the crank and make it wake up. The LED will twinkling blue.
2. Make the crank vertical whatever left of right.
3. Make sure has no force with the crank the pedal
4. Press the “CALIBRATION” in the APP and wait for successful return.
5. If return failure after wait too long. Try to make close bike computer with the crank.



CONNECT APP

1. Turn the crank and make it wake up. The LED will twinkling blue.
2. Search and connect the device named XPOWER XXXX.



3. You can get the value and device information in the APP. Also can adjust the watts, calibration and upgrade the firmware.

